

■ FC 51 Type1 Kit Mounting Instruction for M1, M2 and M3

Step 1

Mount metal plate on drive and tighten the screws. Tightening torque: 2 Nm.

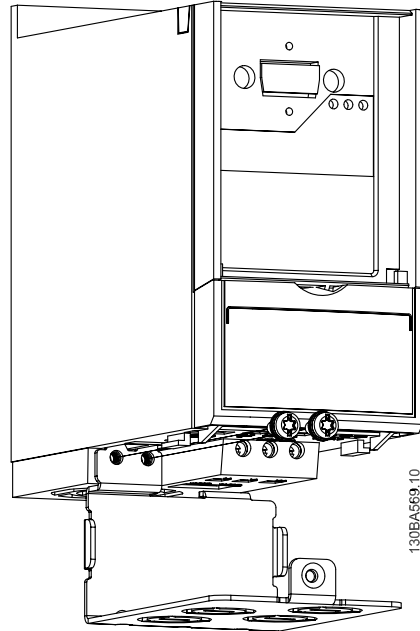
Conduit sizes:

M1 4 x 1/2"

M2 5 x 1/2"

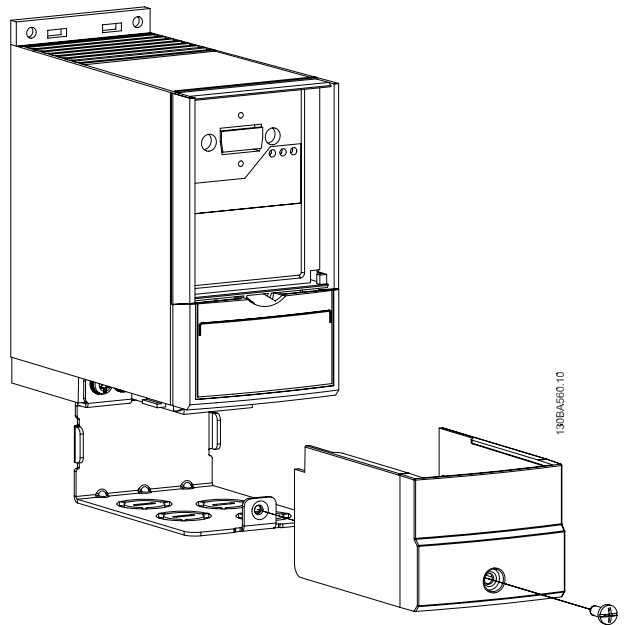
M3 2 x 1/2"

3 x 3/4"



Step 2

Fit bottom cover on drive and tighten screw.



Danfoss can accept no responsibility for possible errors in catalogues, brochures and other printed material. Danfoss reserves the right to alter its products without notice. This also applies to products already on order provided that such alterations can be made without subsequential changes being necessary in specifications already agreed. All trademarks in this material are property of the respective companies. Danfoss and the Danfoss logotype are trademarks of Danfoss A/S. All rights reserved.

